

# Fixed Spacesaver Mounting Hardware



for use with MaTRx Series  
wheelchair backs

Installation Manual



# Table of Contents

---

- 1.0 Tools Required
- 2.0 Hardware Kit Contents
- 3.0 Before Installation - Important!
- 4.0 MaTRx Back Installation
  - 4.1 MaTRx PB (Posture Back) and MaTRx PB-Deep
  - 4.2 MaTRx PB-Heavy Duty and MaTRx PB-HD Deep
  - 4.3 MaTRx PB-Elite
- 5.0 Notes

## **! PLEASE NOTE**

*If you have any questions or concerns with the Space Saver Hardware, or your MaTRx back installation, please contact our Customer Service Department for assistance.*

**Canada:** 866-748-7943

**USA:** 888-433-6818

## **1.0 - Tools Required**

- Wrenches: 5/8" (16mm); 1/2" (13mm)
- Allen Key: (provided)
- Utility Knife/Scissors
- Phillips Screwdriver
- Tape Measure/Ruler



## 2.0 - Hardware Kit Contents

There are 2 unique installation kits available for mounting our MaTRx backs (depending on the type of back canes installed on the upper seating system). Standard *round* back canes will utilize a **Cane Clamp Kit** (see **Figure 1.0** below); "*Channel-style*" back canes will require a **T-Nut Kit** to install the mounting plates (refer to section ii) and **Figure 2.0**, on p.4).

Each Hardware Kit includes extra hardware (*i.e.*; screws/spacers/washers) to allow proper centering of the MaTRx back between the back canes and mounting plates.

### i) Cane Clamp Kit Hardware

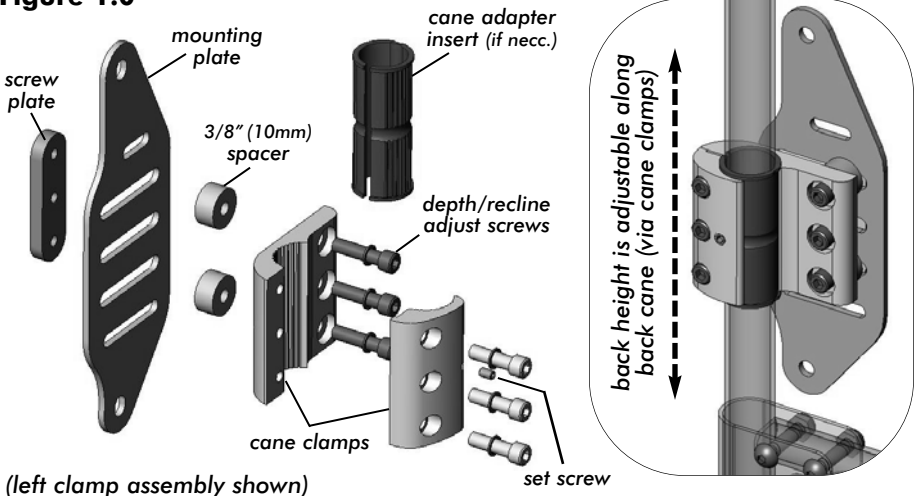
#### Cane Clamp Assembly - (see **Figure 1.0**)

- 2 - Back Mounting Plates
- 2 - Cane Clamp Ass'y
- 2 - Cane Adapter Inserts for 7/8" (22mm) tube
- 2 - Cane Adapter Inserts for 3/4" (19mm) tube
- 6 - Depth/Recline Adjustment Screws
- 6 - Cane Clamp Screws
- 12 - Flat Washers
- 2 - Set Screws (3/32" hex key- provided)
- 4 - Nylon Spacers (3/8" (10mm))
- 2 - Cane Clamp Screw Plates

#### MaTRx Back Mounting Hardware - (refer to **Section 4.0**)

- 6 - Nylon Spacers (1/2" (13mm))
- 12 - Flat Washers (**note:** extra washers provided for minor width adjustments)
- 4 - **Short** (1-1/2" (38mm)) Mounting Screws
- 4 - **Long** (2" (51mm)) Mounting Screws - optional

**Figure 1.0**



(left clamp assembly shown)

## 2.0 - Hardware Kit Contents

### ii) T-Nut Kit Hardware

#### T-Nut & Mounting Plate Assembly - (see **Figure 2.0** below)

- 2 - Back Mounting Plates
- 4 - T-Nuts
- 4 - **Short** Depth/Recline Adjustment Screws (7/8" (2mm))
- 4 - **Long** Depth/Recline Adjustment Screws<sup>1</sup> (1-1/4" (32mm)) - optional
- 4 - Flat Washers
- 8 - Nylon Spacers<sup>1</sup> (3/8" (10mm))

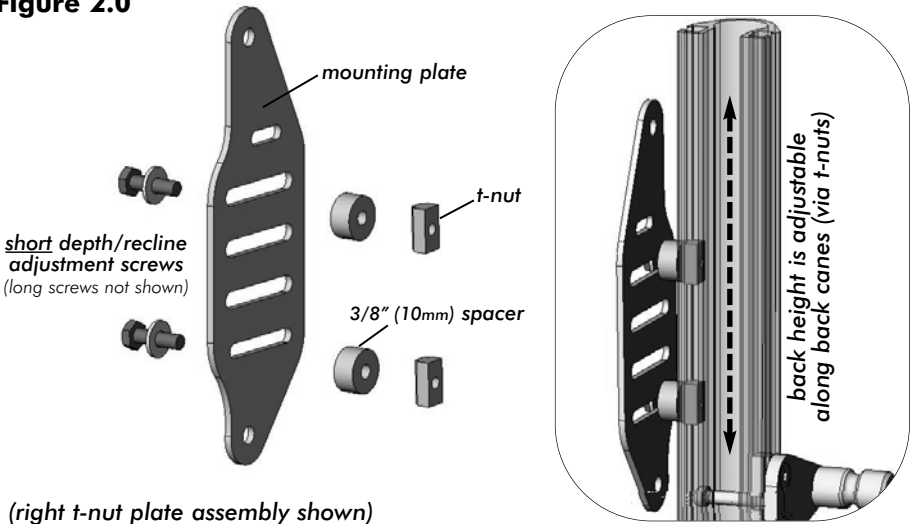
#### MaTRx Back Mounting Hardware - (refer to **Section 4.0**)

- 8 - Nylon Spacers<sup>2</sup> (1/2" (13mm))
- 4 - Flat Washers
- 4 - **Short** (1-1/2" (38mm)) Mounting Screws
- 4 - **Long** (2" (51mm)) Mounting Screws<sup>2</sup> - optional

<sup>1</sup>**note:** four optional long depth/recline adjustment screws and four additional 3/8" spacers are provided (if necessary) to allow adjustment between the mounting plate and the back canes.

<sup>2</sup>**note:** four optional long mounting screws and four additional 1/2" spacers are provided (if necessary) to allow proper centering/spacing of the MaTRx back between the back canes.

**Figure 2.0**



## 3.0 - Before Installation- Important!

### i) Mounting Plate Adjustments

#### SEAT DEPTH:

The **Cane Clamp Kits** may be mounted in a *forward* or *rearward* position on the back canes. The cane clamp assemblies are shipped in the *rearward* mounting configuration- see **Figure 3A** below. This maximizes the seat depth on the wheelchair seat (up to 2.5" (64mm) maximum rearward offset).

By *inverting* the cane clamps on the back canes, the assembly can be reconfigured to give a more *forward* mounting position\* (up to a maximum 2.5" (64mm) forward offset - see **Figure 3B** below).

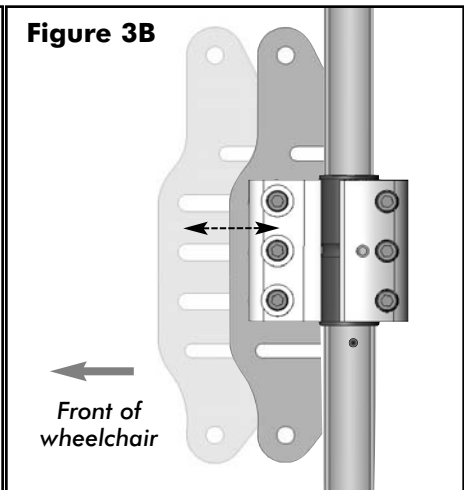
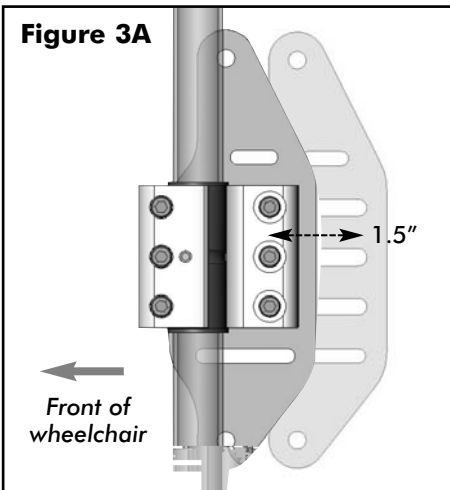
*\*note: in the forward position, the mounting plates must also be removed and reinstalled in the proper orientation - as indicated below.*

The slotted mounting plates for both the **Cane Clamp Kit** and the **T-Nut Kit**, also provide up to 1.5" (38mm) of fore and aft adjustment relative to the cane clamp.

#### ! PLEASE NOTE

*When establishing the mounting position for the MaTRx back, ensure the stability of the wheelchair is not compromised.*

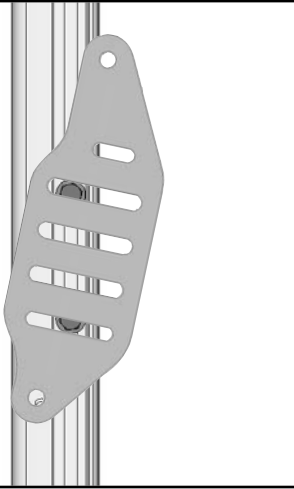
*Adjusting the fore and aft position of the backrest will alter the user's center of gravity within the wheelchair. A recessed back position can significantly reduce the rearward stability of the wheelchair. Similarly, a more forward back position will reduce the wheelchair's forward stability.*



Mounting Plate in the **rearmost** back position (maximized seat depth).

Mounting Plate in the **forward most** back position.

**Figure 4A**



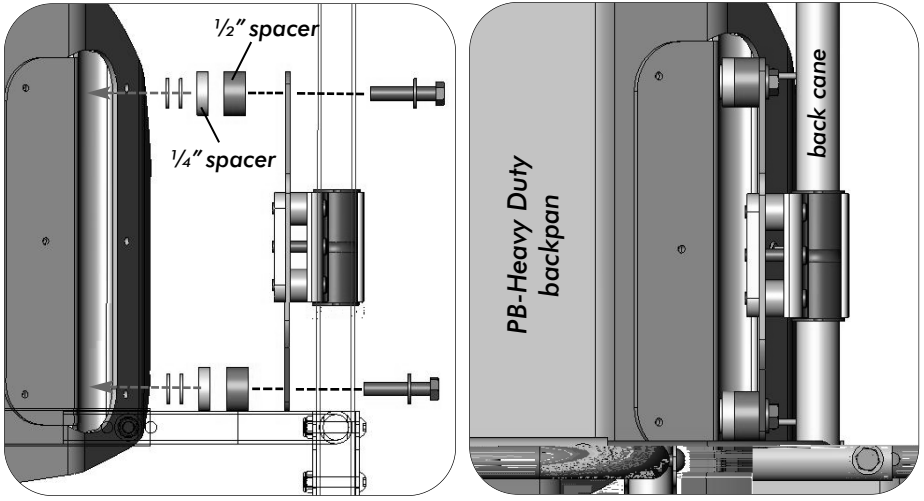




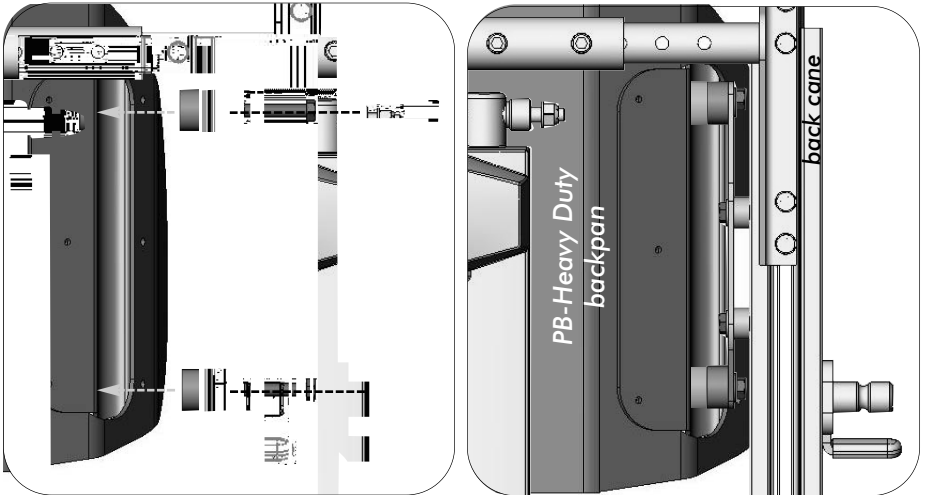
## 4.0 MaTRx Back Installation

### 4.2 MaTRx-PB Heavy Duty (HD) *and* PB HD-DEEP

#### i) INSTALLING A PB-HD/ HD-DEEP BACK USING THE CANE CLAMP KIT



#### ii) INSTALLING A PB-HD/ HD-DEEP BACK USING THE T-NUT KIT

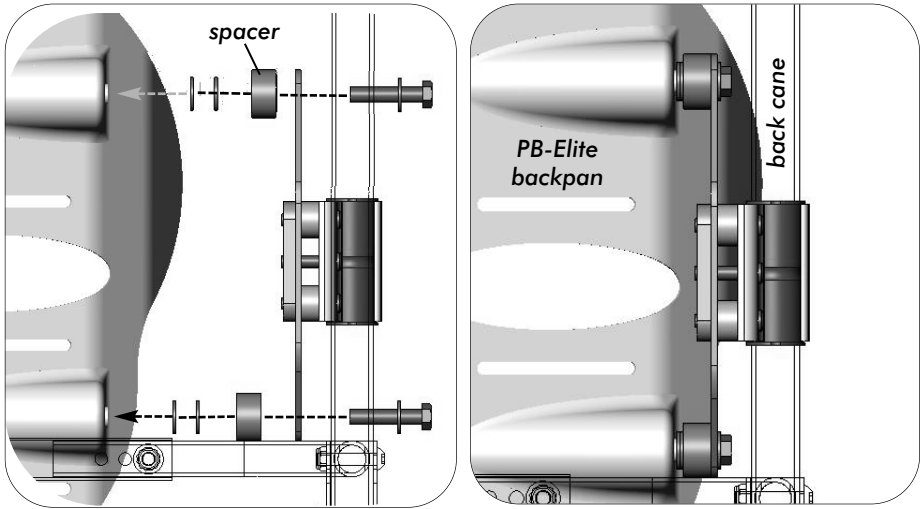


**Please Note:** the required mounting hardware may vary depending on the back size and back cane width- images are provided for reference only.

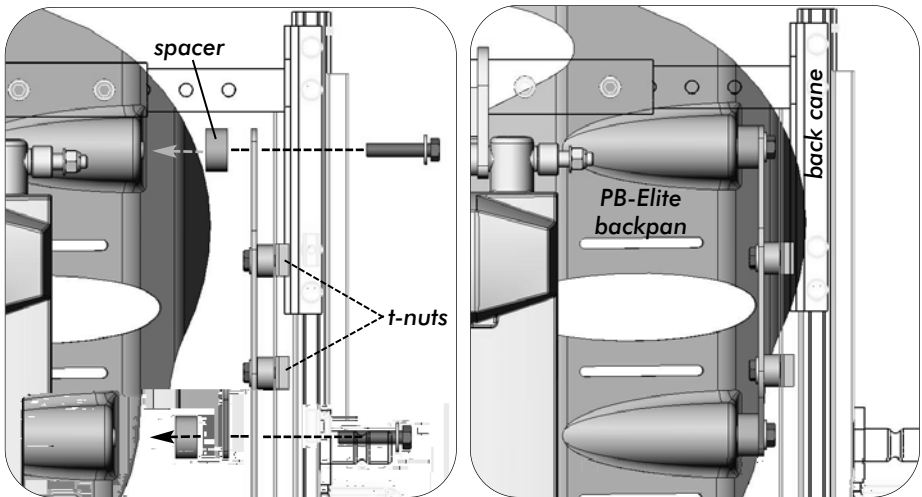
## 4.0 MaTRx Back Installation and Adjustment

### 4.3 MaTRx PB-Elite Back

#### i) INSTALLING A PB-ELITE BACK USING THE CANE CLAMP KIT



#### ii) INSTALLING A PB-ELITE BACK USING THE T-NUT KIT



**Please Note:** the required mounting hardware may vary depending on the back size and back cane width- images are provided for reference only.

## 5.0 - NOTES



[www.motionconcepts.com](http://www.motionconcepts.com)  
[info@motionconcepts.com](mailto:info@motionconcepts.com)

USA  
700 Ensminger Rd. Suite 112  
Tonawanda, NY 14150  
Toll Free Tel: 1.888.433.6818  
Toll Free Fax: 1.888.433.6834

Canada  
84 Citation Drive  
Concord, Ontario L4K 3C1  
Tel: 905.695.0134  
Fax: 905.695.0138

