



# **Split Mounting Hardware**

**for use with MaTRx Series  
Wheelchair Backs**

# Table of Contents

---

- 1.0 Tools Required
- 2.0 Hardware Kit Contents
- 3.0 Before Installation - Important!
- 4.0 Hardware & MaTRx Back Installation
- 5.0 Notes

**! PLEASE NOTE**

*If you have any questions or concerns with the Split Mounting Hardware, or your MaTRx back installation, please contact our Customer Service Department for assistance.*

**Canada:** 866-748-7943

**USA:** 888-433-6818

## 1.0 - Tools Required

Wrenches: 5/8" (16mm); 1/2" (13 mm)

Allen Keys: 3/32"; 1/8" (provided)

Utility Knife/Scissors

Phillips Screwdriver

Tape Measure/Ruler



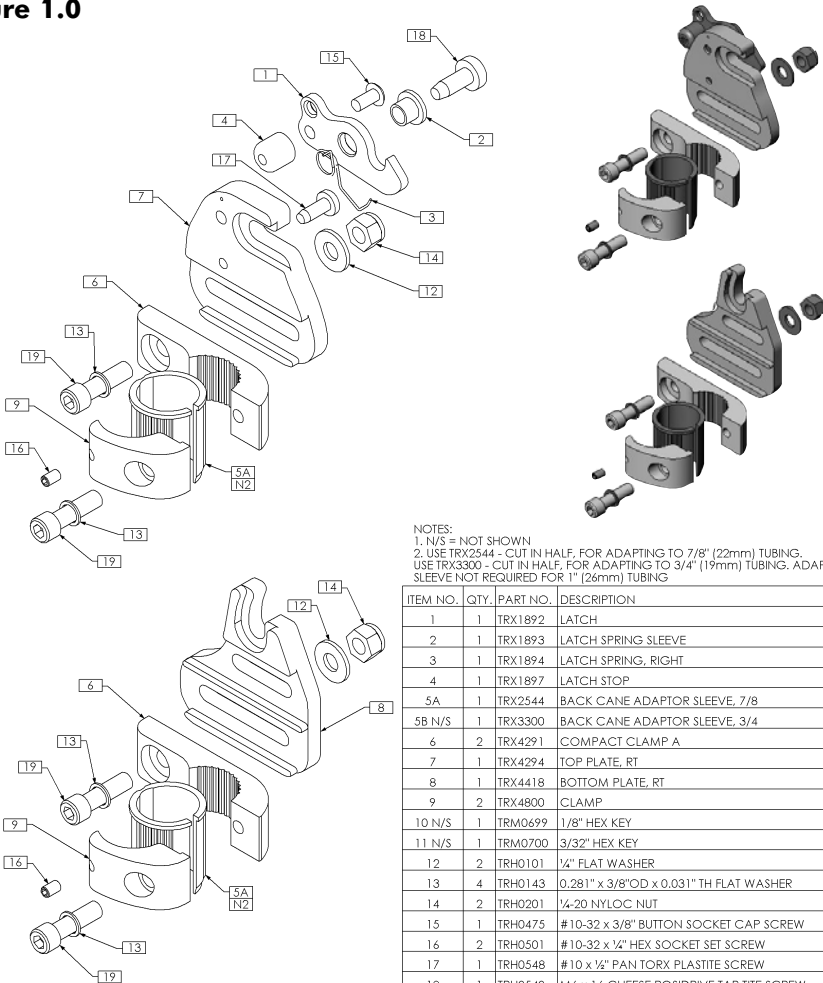
## 2.0 - Hardware Kit Contents

The **Split Mounting Hardware** has been uniquely designed to allow for mounting of our MaTRx Series wheelchair backs when a rigidizer bar is installed between the wheelchair's back canes. The easy to use split mounting hardware still maintains a high degree of adjustability, while effectively eliminating any interference issues experienced with our standard mounting hardware.

**Note:** the MaTRx Series includes: the MaTRx-PB (*Standard or Deep*) and the MaTRx-PB Elite Back (*the Split Hardware is **not** recommended for the MaTRx-PB Heavy Duty*)

### Split Mounting Hardware Overview Drawing (Right Side)

Figure 1.0



NOTES:  
 1, N/S = NOT SHOWN  
 2, USE TRX2544 - CUT IN HALF, FOR ADAPTING TO 7/8" (22mm) TUBING.  
 USE TRX3300 - CUT IN HALF, FOR ADAPTING TO 3/4" (19mm) TUBING. ADAPTER SLEEVE NOT REQUIRED FOR 1" (26mm) TUBING

| ITEM NO. | QTY. | PART NO. | DESCRIPTION                             |
|----------|------|----------|-----------------------------------------|
| 1        | 1    | TRX1892  | LATCH                                   |
| 2        | 1    | TRX1893  | LATCH SPRING SLEEVE                     |
| 3        | 1    | TRX1894  | LATCH SPRING, RIGHT                     |
| 4        | 1    | TRX1897  | LATCH STOP                              |
| 5A       | 1    | TRX2544  | BACK CANE ADAPTOR SLEEVE, 7/8           |
| 5B N/S   | 1    | TRX3300  | BACK CANE ADAPTOR SLEEVE, 3/4           |
| 6        | 2    | TRX4291  | COMPACT CLAMP A                         |
| 7        | 1    | TRX4294  | TOP PLATE, RT                           |
| 8        | 1    | TRX4418  | BOTTOM PLATE, RT                        |
| 9        | 2    | TRX4800  | CLAMP                                   |
| 10 N/S   | 1    | TRM0699  | 1/8" HEX KEY                            |
| 11 N/S   | 1    | TRM0700  | 3/32" HEX KEY                           |
| 12       | 2    | TRH0101  | 1/2" FLAT WASHER                        |
| 13       | 4    | TRH0143  | 0.281" x 3/8"OD x 0.031" TH FLAT WASHER |
| 14       | 2    | TRH0201  | 1/4-20 NYLOC NUT                        |
| 15       | 1    | TRH0475  | #10-32 x 3/8" BUTTON SOCKET CAP SCREW   |
| 16       | 2    | TRH0501  | #10-32 x 1/4" HEX SOCKET SET SCREW      |
| 17       | 1    | TRH0548  | #10 x 1/2" PAN TORX PLASTITE SCREW      |
| 18       | 1    | TRH0549  | M6 x 16 CHEESE POSIDRIVE TAP TITE SCREW |
| 19       | 4    | TRH0553  | 1/4-20 x 7/8" SOCKET HEAD CAP SCREW GR8 |

**(Note: Right Ass'y Shown)**

**SEAT DEPTH (Fore/Aft Adjustment):**

The **Cane Clamp Kits** may be mounted in a *forward* or *rearward* position on the back canes. The cane clamp assemblies are shipped in the *rearward* mounting configuration- see **Figure 2A** below. This maximizes the seat depth on the wheelchair seat (up to 2.5" (64mm) maximum rearward offset).

By *inverting* the cane clamps on the back canes, the assembly can be reconfigured to give a more *forward* mounting position\* (up to a maximum 2.5" (64mm) forward offset - see **Figure 2B** below).

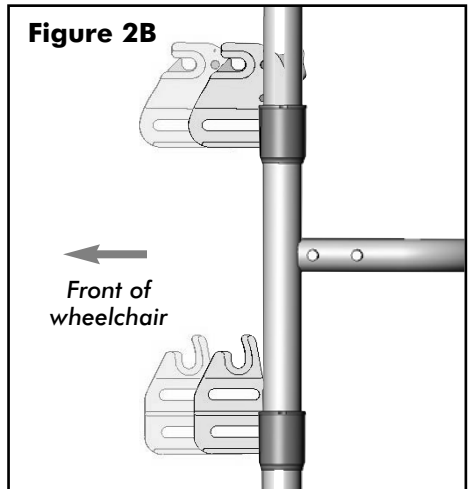
*\*note: in the forward position, the mounting plates must also be removed and reinstalled in the proper orientation - as indicated below.*

The slots in the upper and lower mounting plates, also provide up to 1.5" (38mm) of fore and aft adjustment relative to the cane clamp.

**! PLEASE NOTE**

When establishing the mounting position for the MaTRx back, ensure the stability of the wheelchair is not compromised.

Adjusting the fore and aft position of the backrest will alter the user's center of gravity within the wheelchair. A recessed back position can significantly reduce the rearward stability of the wheelchair. Similarly, a more forward back position will reduce the wheelchair's forward stability.



Mounting Plates in the **rearmost** back position (maximized seat depth).

Mounting Plates in the **forward most** back position.

## **4.0 Hardware and MaTRx Back Installation**



## 4.0 Hardware and MaTRx Back Installation

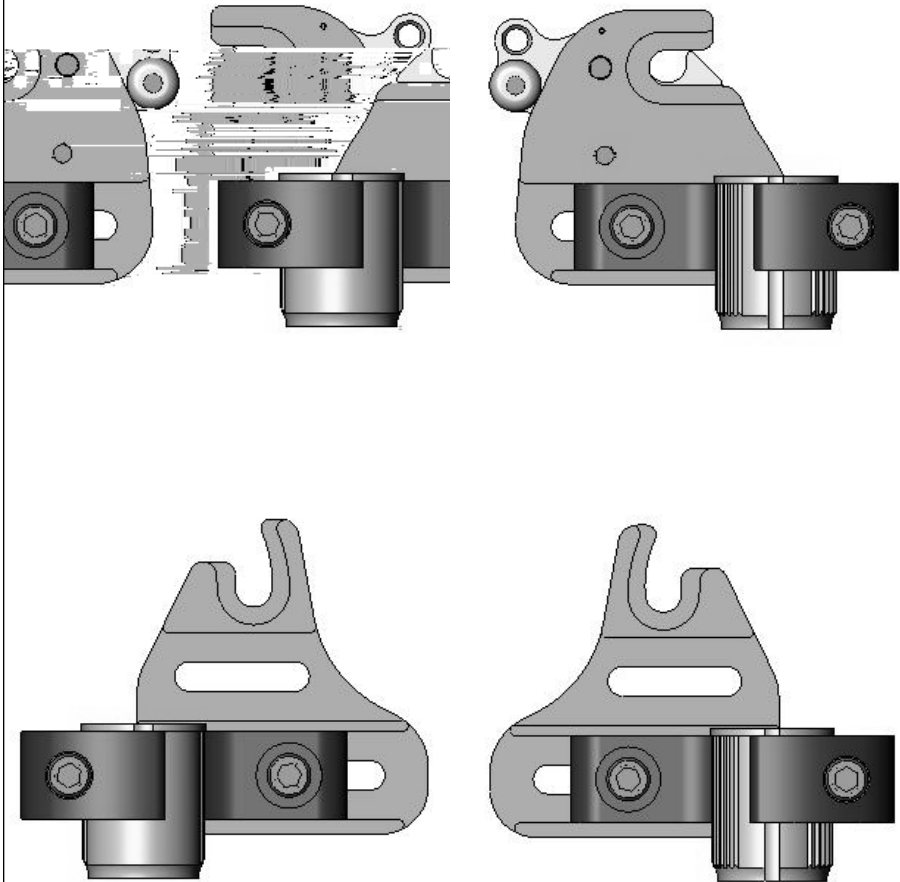
**i Important!** the *left & right* mounting plate assemblies shown below are defined from a seated position in the wheelchair (i.e.; *forward facing position*).

### Split Mounting Hardware Profile (Left & Right Assemblies)

**Figure 3.0**

**Left Mounting Plates**

**Right Mounting Plates**



## 5.0 - NOTES



[www.motionconcepts.com](http://www.motionconcepts.com)  
[info@motionconcepts.com](mailto:info@motionconcepts.com)

**USA**

700 Ensminger Rd. Suite 112  
Tonawanda, NY 14150  
Toll Free Tel: 1.888.433.6818  
Toll Free Fax: 1.888.433.6834

**Canada**

84 Citation Drive  
Concord, Ontario L4K 3C1  
Tel: 905.695.0134  
Fax: 905.695.0138

