

# Swing-Away Lateral Installation Instructions: MaTRx-PB elite

## Instructions for Installing Standard and Offset Swing-Away Lateral Supports:

- 1 Pull up the bottom of the cover (release velcro fasteners) to expose the mounting slots/channels in the back pan.
- 2 Determine the desired mounting height/orientation for the lateral pads (*upper or lower mounting slot position*).
- 3 Loosely install the lateral supports onto the back pan using the hardware provided. (**Note:** the mounting hardware is typically installed from the outside of the back pan and threaded through the lateral support brackets into the backing plates (x4) -see **Figure 1.0** below ; Alternatively, if desired, the mounting hardware may mounted in the reverse orientation- as shown in **Figure 2.0**).
- 4 Adjust laterals to the desired position via the mounting slots on the backpan *and* via the slots in the lateral support bracket (**Figures 3.0** and **4.0** below). Secure each lateral support into place.
- 5 Re-attach the back cover via the velcro fasteners.

## Swing Away Lateral Installation & Adjustment:

Figure 1.0

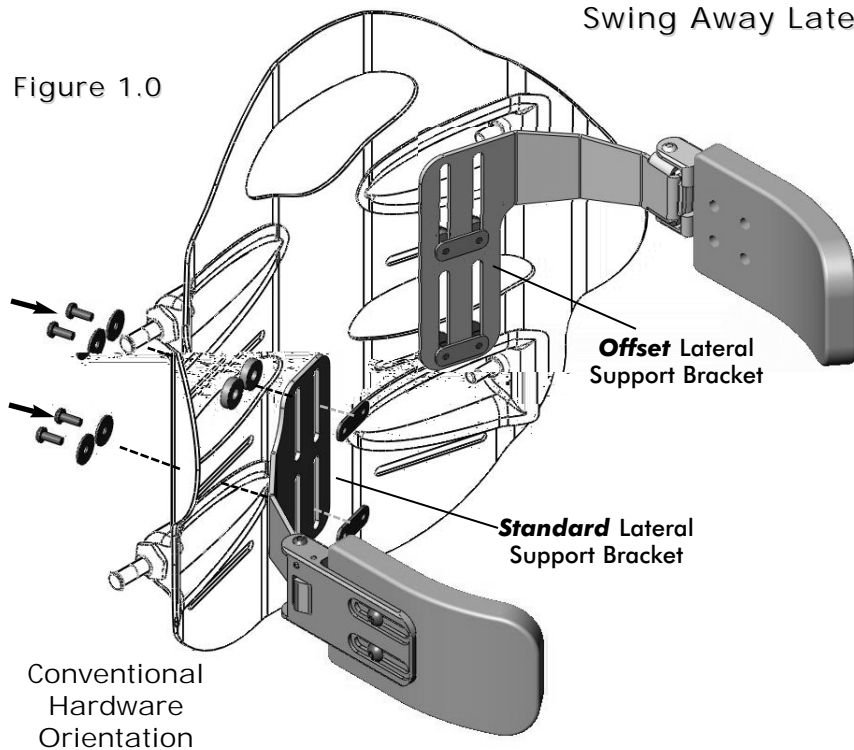


Figure 2.0

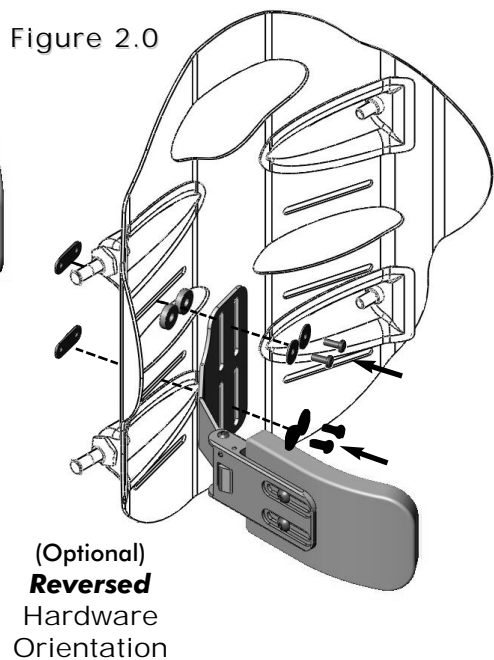


Figure 3.0

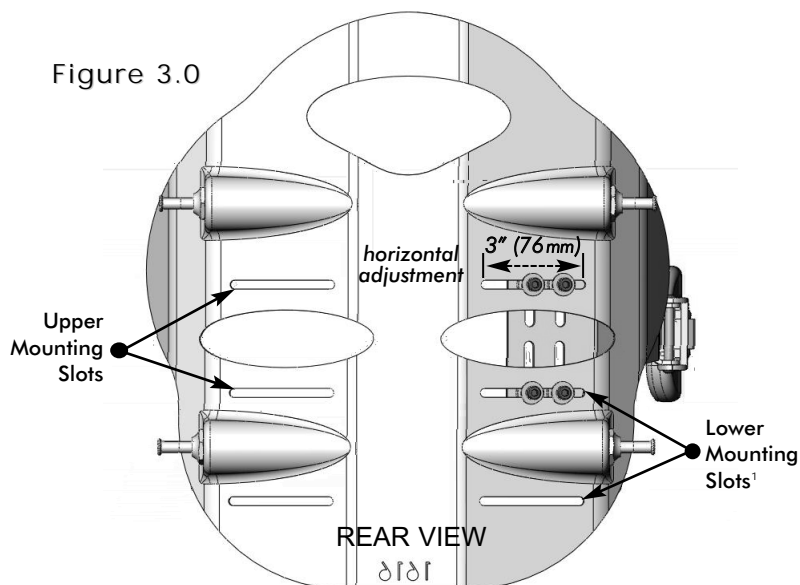
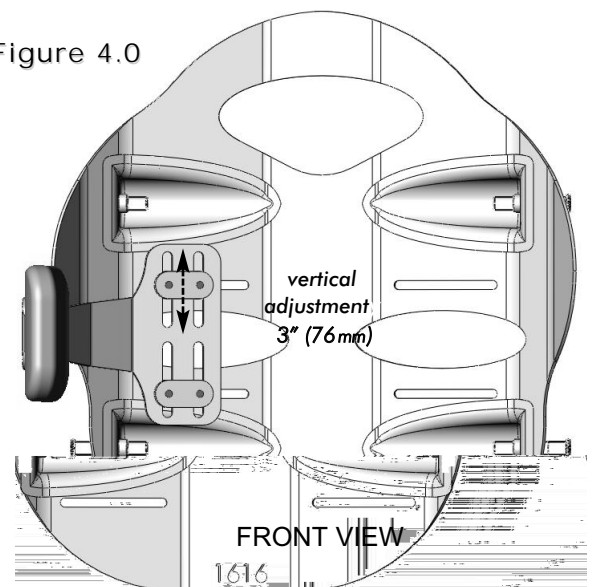
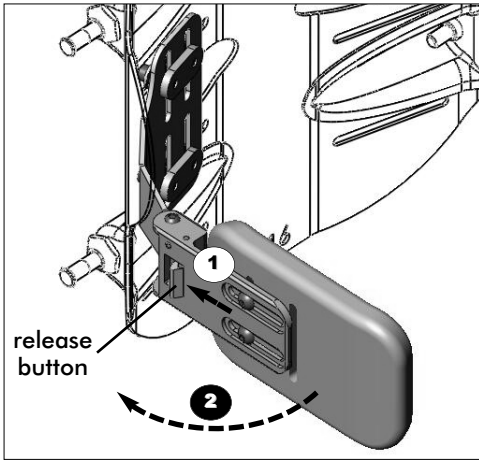


Figure 4.0



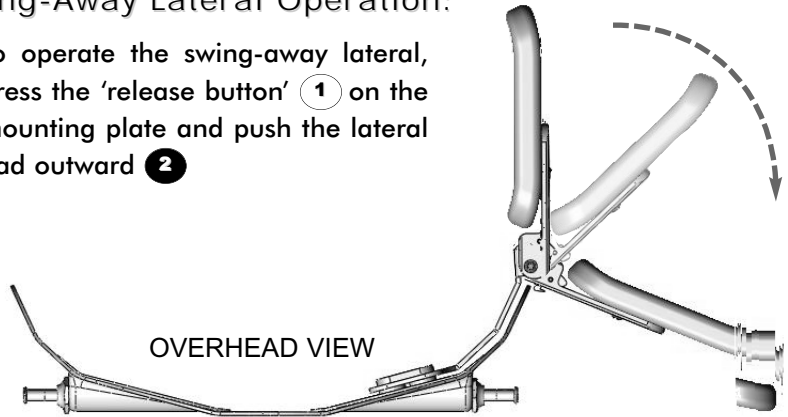
<sup>1</sup>**Note:** lower mounting slots *not* available on 12" (31cm) high MaTRx-PB elite backs

# Swing-Away Lateral Support Installation Instructions: MaTRx-PB elite (...cont'd)

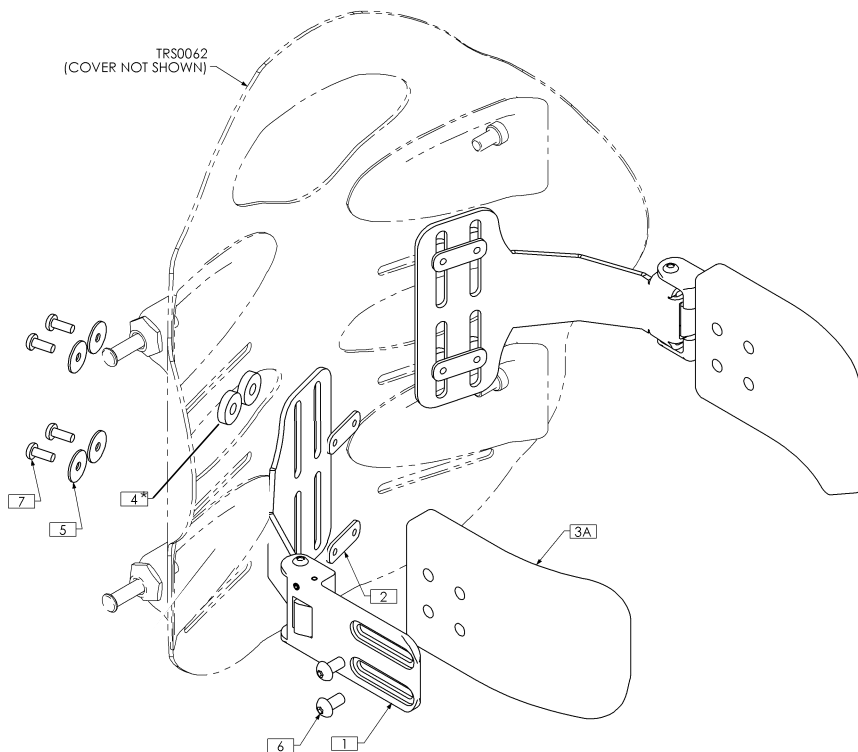
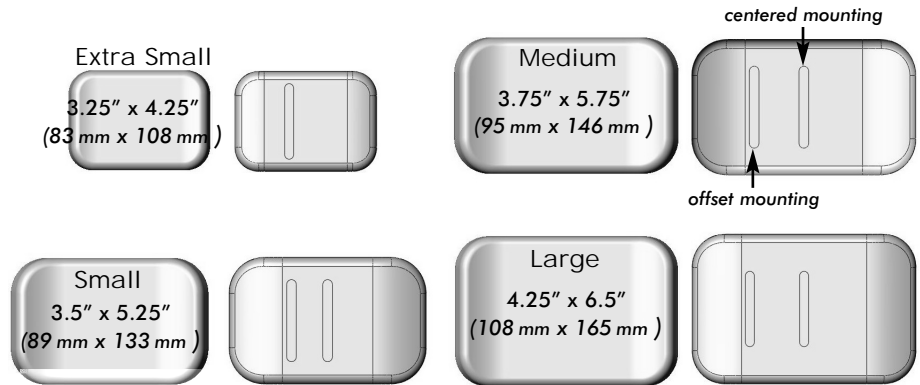
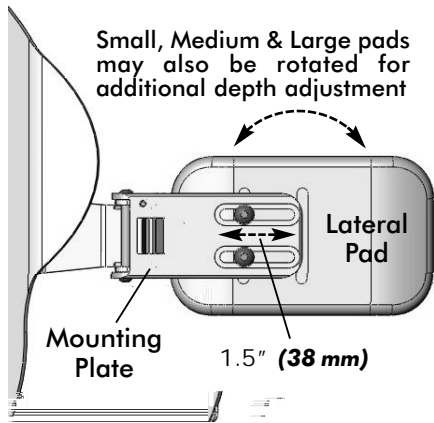


## Swing-Away Lateral Operation:

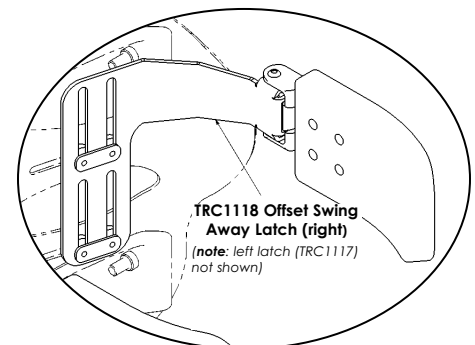
To operate the swing-away lateral, press the 'release button' **1** on the mounting plate and push the lateral pad outward **2**



## Lateral Pad Options:



ITEM NO.	QTY.	PART NO.	DESCRIPTION
1	2	TRC1062	SWING AWAY LATCH
2	4	TRX5556	BACKING PLATE
3A	2	TRM0337	PAD, MEDIUM - 3 3/4" x 5 3/4"
3B N/S	2	TRM0336	PAD, SMALL - 3 1/2" x 5"
3C N/S	2	TRM0338	PAD, LARGE - 4 1/2" x 6 1/4"
3D N/S	2	TRM0542	PAD, EXTRA SMALL - 3" x 4"
4*	8	TRM0775	SPACER, 1/2" ID x 3/4" OD x 0.188" THK
5	8	TRH0144	3/16" x 3/4" OD x 0.050" TH FLAT WASHER
6	4	TRH0429	1/4-20 x 1/2" BUTTON SOCKET CAP SCREW
7	8	TRH0464	#10-32 x 1/2" PAN PHILLIPS MACHINE SCREW



\*note: spacers are only required when utilizing the upper slot on the back pan

700 Ensminger Rd., Suite 112  
Tonawanda, NY 14150 USA  
84 Citation Drive, Units 1-7,  
Concord, ON L4C 3K1 Canada  
www.motionconcepts.com

