

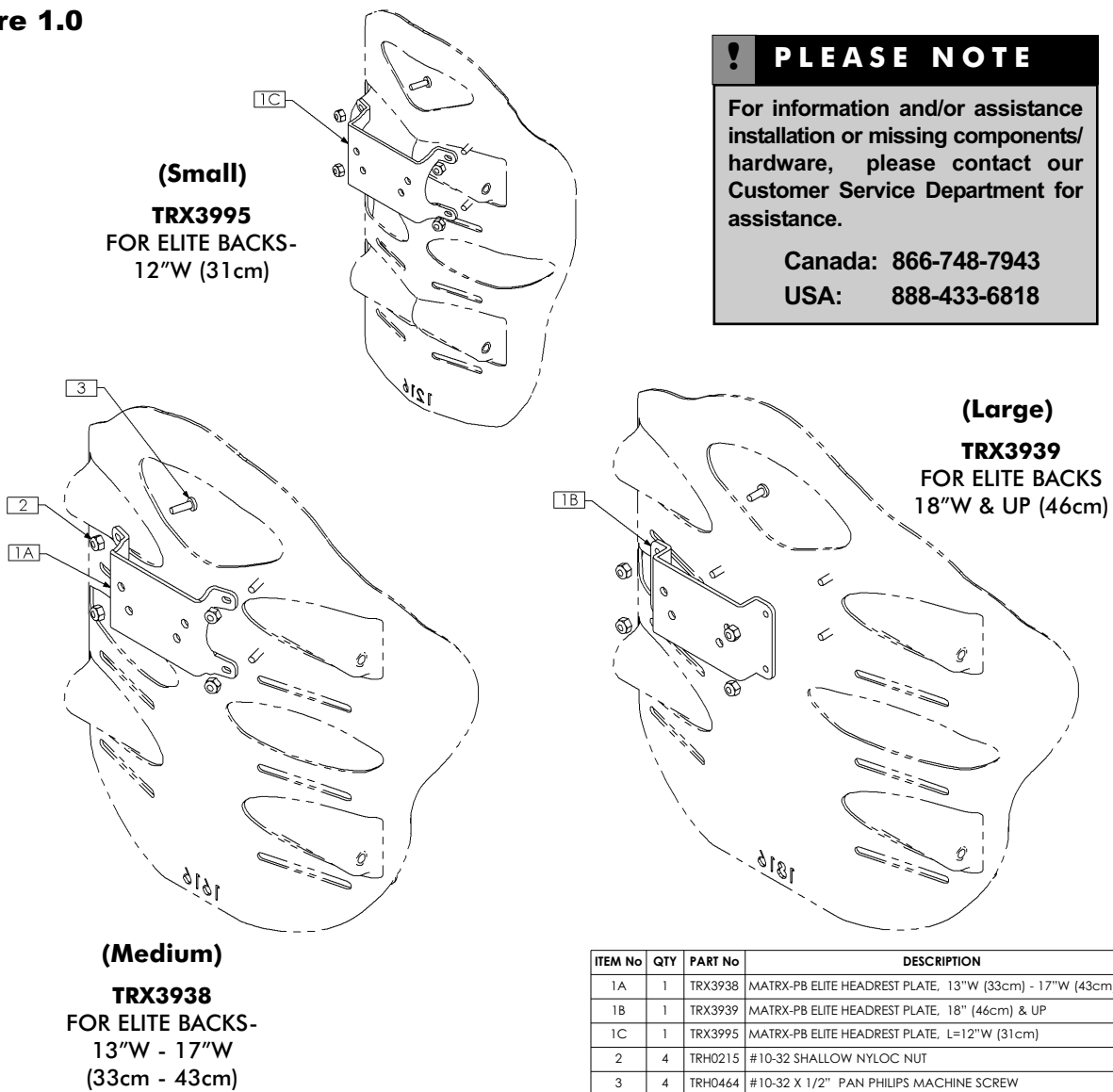
Installation Instructions: MaTRx PB-Elite Headrest Mounting Plate

1.0 Tools Required for Installation

- ◆ Phillips Screwdriver
- ◆ 3/8" (10mm) wrench
- ◆ Grease Pen or Marker
- ◆ Power Drill
- ◆ 3/16" or #10 Drill Bit
- ◆ Small Level
- ◆ C-Clamp/ Vice Grips

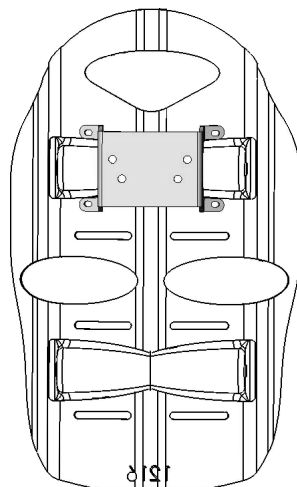
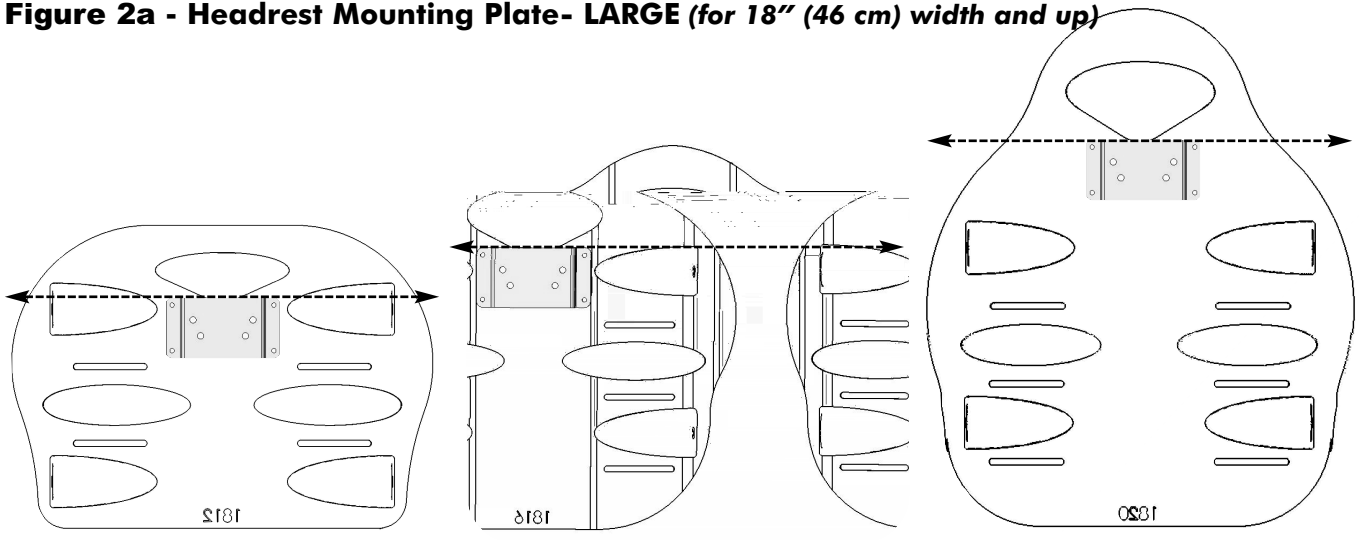
i Important! There are 3 uniquely designed **Headrest Mounting Plates** for the MaTRx PB-Elite back. The appropriate headrest plate is determined by the *width* of the backpan (as illustrated in **Figure 1.0** below). The mounting location for the headrest plate may also vary depending on the back *height* (please see **Figure 2.0, p.2**). The following installation instructions are provided as a guideline for locating and installing the headrest mounting plate.

Figure 1.0



Installation Instructions: **MaTRx PB-Elite Headrest Mounting Plate**

Figure 2a - Headrest Mounting Plate- LARGE (for 18" (46 cm) width and up)



Installation Instructions: MaTRx PB-Elite Headrest Mounting Plate

3.0 Headrest Mounting Plate Installation:

Due to multiple mounting locations for the headrest plate, the mounting holes must be drilled into the backpan at the desired position.

i Important!

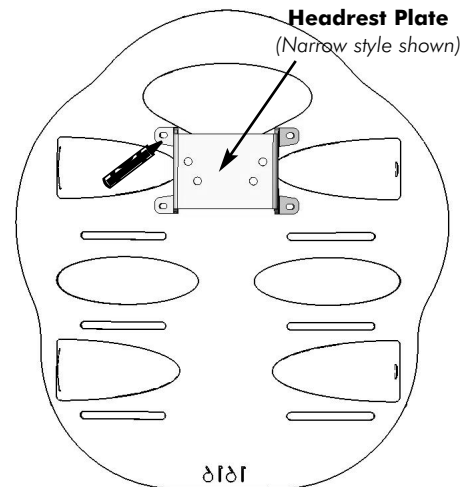
Before marking and/or drilling the mounting holes, ensure the headrest plate is **level and centered** across the width of the PB-Elite back pan to ensure the headrest assembly will be properly positioned following installation. *(The headrest should be centered and perpendicular to the back following installation).*

Drilling Mounting Holes:

1. With the outer back cover removed, place the headrest mounting plate in the appropriate position on backpan (per **Figures 2a- 2c, p.2**)
2. Hold/clamp the headrest plate in position and mark/drill the 4 mounting holes through the back pan (see image at right). **note:** use a file to remove any sharp burrs left after drilling.

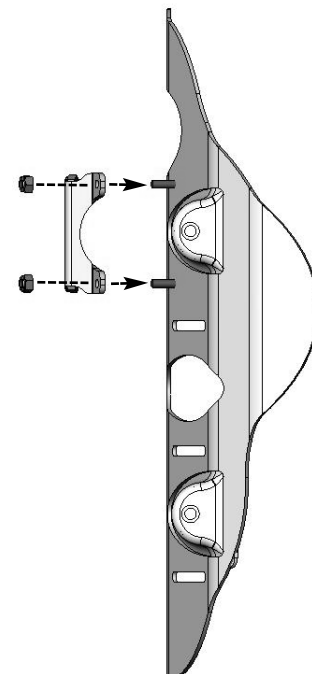
Plate Installation:

3. Install the mounting screws (*provided*) from the *inside* of the back pan so that they protrude out the back.
4. Install the headrest mounting plate onto the screws and secure the plate in place using the 4 nyloc nuts provided.
5. Verify that all mounting hardware is properly secured.
6. Re-install the outer cover on the backpan, and install the desired headrest assembly* (*not shown*) onto the mounting plate.



Position plate on back pan & mark/drill 4 mounting holes *perpendicular* to the surface of the back pan

***Note:** there are two sets of holes patterns designed into the headrest mounting plate. These hole patterns were designed to accomodate most standard headrests assemblies. The headrest plate can be mounted using whichever set of holes best accomodates the desired headrest assembly.



Note: ensure screws are inserted from the inside of the backpan

